
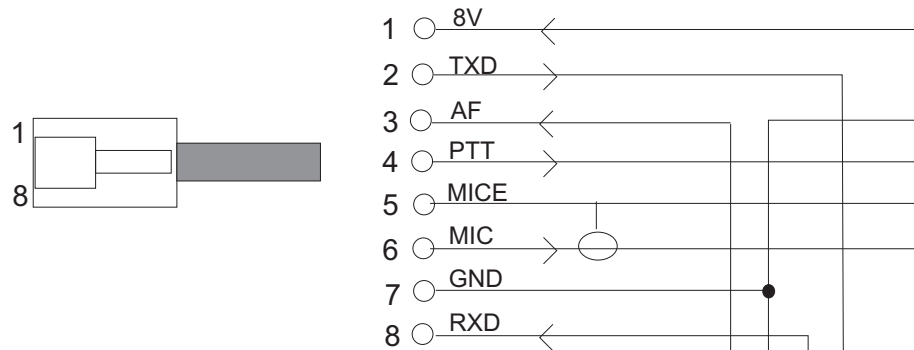


DET NR.		CNT		NAME			DIMENSION	NOTE	
CONSTR.	DRAWN	COPIED	CHECKED	STAND.	OK	SCALE	REPLACE	REPLACED BY	
MS						1:2		090322	
							Kenwood cable RRC-1258 -> TS-480 Radio Separated Panel		DATE
									091021
							DRAWING NR		1258 Cable K5 1(1)

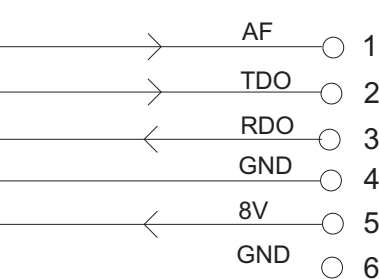
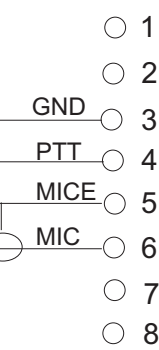
RRC-1258

8-pol RJ 45 Con

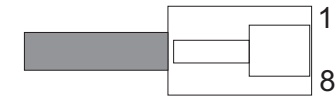


Mic Inp TS-480

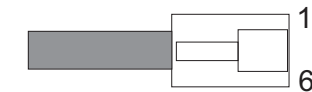
8-pol RJ 45 Con



Control Inp TS-480



Attention!
This picture
shows Kenwood
numbering witch
is inverted



Attention!
This picture
shows Kenwood
numbering witch
is inverted